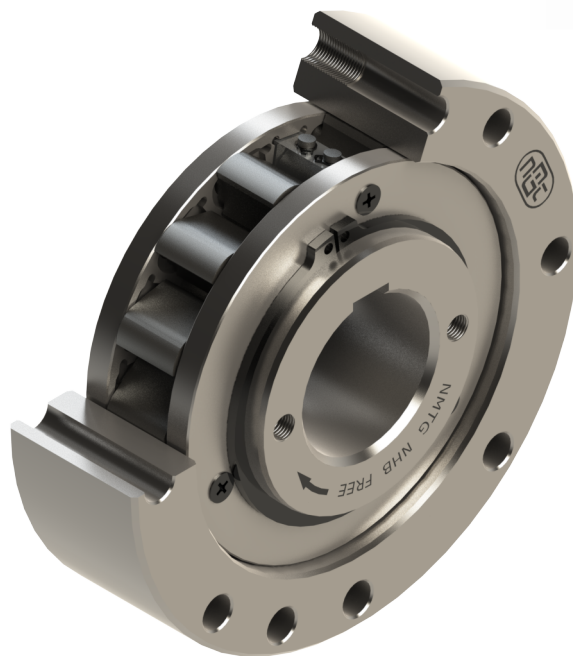
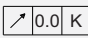
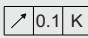
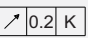
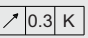
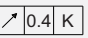
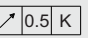
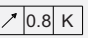


Holdback / Backstop Clutch

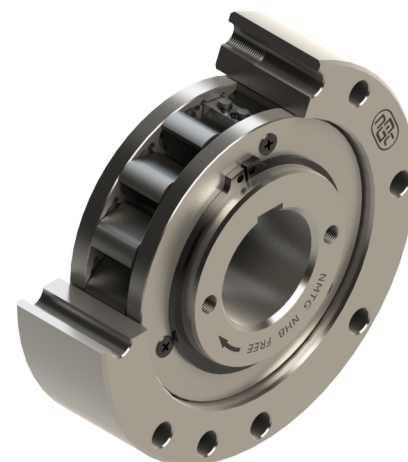
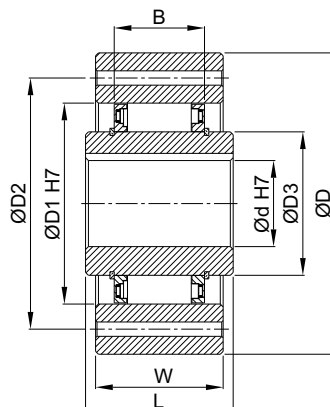
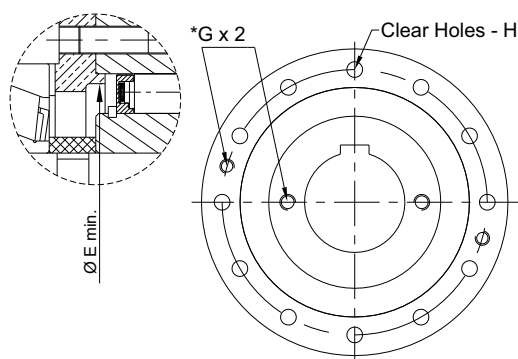
NHB Model



Performance criteria

NMTG Code No	 0.0 K	 0.1 K	 0.2 K	 0.3 K	 0.4 K	 0.5 K	 0.8 K	Lift off speed Rpm	Max. speed Rpm
	Torque Nm	Nm	Nm	Nm	Nm	Nm	Nm		
NHB20H	105	105	100	100	-	-	-	890	5000
NHB20	180	170	160	150	-	-	-	860	5000
NHB20H1	220	212	200	-	-	-	-	860	5000
NHB25	455	445	435	430	-	-	-	820	5000
NHB30	480	470	420	-	-	-	-	750	5000
NHB35H	555	545	535	525	-	-	-	750	5000
NHB35	655	645	635	625	-	-	-	730	5000
NHB40H	515	495	475	455	-	-	-	750	5000
NHB40	800	780	700	-	-	-	-	720	5000
NHB45	800	780	700	-	-	-	-	700	5000
NHB45H	940	920	900	880	-	-	-	700	5000
NHB50H	1190	1160	1130	1100	-	-	-	670	5000
NHB50	1585	1535	1485	1440	-	-	-	630	5000
NHB50H1	1500	1350	1200	-	-	-	-	630	5000
NHB60	2475	2475	2425	2425	2425	2425	-	430	6000
NHB60H	2080	2030	1980	-	-	-	-	610	5000
NHB70	3665	3565	3565	3465	3465	3465	-	400	4500
NHB80	7625	7525	7425	7230	7230	7230	-	320	4000
NHB90	7200	7000	6800	6000	5600	4800	-	320	3500
NHB95H	10000	9900	9700	9500	9400	9400	-	320	3000
NHB95	8700	8500	7900	6700	5500	5400	-	320	3000
NHB100	15000	14000	12900	14000	13000	12000	-	250	2700
NHB120H	20300	20300	19800	19300	18800	18800	-	250	2700
NHB120	20000	19000	16000	15000	14000	13000	-	250	2700
NHB140	30700	30200	29700	26240	22770	20300	-	240	2100
NHB155	31000	30500	30000	29000	26000	24000	-	220	3000
NHB185	36140	35640	35150	35150	34650	34150	33660	220	3000
NHB185H	31500	30500	30000	29000	26000	24000	19500	220	3000
NHB185H1	80190	79700	79200	78700	77700	76700	76200	220	3000
NHB185H2	58400	57900	57900	56930	56430	55940	55440	220	2500
NHB185H3	50000	49000	47000	45500	44000	42000	33000	190	2500
NHB185H4	116330	115340	114840	113360	112370	111380	110390	210	1300
NHB205	44060	43560	43560	43070	42570	42080	41090	200	2500
NHB230	64350	63860	63360	62870	61880	61380	59400	200	2500
NHB230H	94050	94050	93560	92570	91580	90590	83660	205	2500
NHB235	68000	67000	61500	61000	56000	50000	44000	195	1100
NHB240	75240	74250	73760	73260	72270	71780	69300	195	2500
NHB240H	110880	109890	109400	108400	106920	105930	98010	195	2100
NHB250	80190	79700	79200	78700	77720	77220	64850	195	2000
NHB280	154440	153450	152460	150980	142560	133160	106920	180	1800
NHB410	192555	191570	190080	188100	186610	177700	143550	170	1500

6 Product Specifications- NHB



* G-Tapped Holes for removal

NMTG Code No	dH7 mm	D mm	L mm	W mm	E min mm	D1 mm	D2 mm	D3 mm	B mm	H		Weight Kg
										Nos	Dia mm	
NHB20H*	20	85	24	25	41	55	70	31	17	6	6.8	0.8
NHB20*	25	90	24	25	48	62	75	38	17	6	6.8	0.9
NHB20H1	20	90	35	35	54	66	78	42	25	6	6.8	1.5
NHB25	30	95	35	35	56	70	82	46	25	6	6.8	1.3
NHB30	30	100	35	35	62	75	87	51	25	6	6.8	1.7
NHB35H	35	105	35	35	62	75	90	51	25	6	6.8	1.7
NHB35	40	110	35	35	66	80	96	56	25	8	6.8	1.8
NHB40H	45	120	25	27	74	85	105	61	19	6	9	1.8
NHB40*	45	125	35	35	82	90	108	66	25	8	9	2.7
NHB45	45	130	35	35	85	95	112	71	25	8	9	2.9
NHB45H*	48	132	35	35	82	90	115	66	25	8	9	2.95
NHB50H	55	140	35	35	92	100	125	76	25	8	9	3.1
NHB50	65	150	40	40	102	110	132	86	25	8	9	4.2
NHB50H1*	48	155	55	45	92	105	135	65	35	8	11	4.45
NHB60	65	175	60	50	102	125	155	85	40	8	11	7.4
NHB60H	75	175	50	50	117	125	155	101	25	8	11	6.9
NHB70	75	190	60	50	130	140	165	100	40	12	11	8.8
NHB80	90	210	70	60	150	160	185	120	50	12	11	12.7
NHB90	90	230	80	70	170	180	206	140	50	12	13	17.4
NHB95H	110	245	70	70	170	180	218	140	50	12	13	19.8
NHB95	110	245	80	70	170	180	218	140	50	12	13	20.3
NHB100	110	270	90	80	200	210	240	170	63	12	18	33
NHB120H	130	290	80	80	200	210	258	170	63	12	18	33
NHB120	130	290	90	80	200	210	258	170	63	12	18	34.4
NHB140	155	310	80	80	230	240	278	200	63	12	18	35
NHB155	155	322	90	80	230	240	278	200	63	12	18	36
NHB185	185	400	90	80	280	310	360	240	63	12	22	60
NHB185H	185	412	90	80	280	310	360	240	63	12	22	61.6
NHB185H1	185	412	160	160	280	310	360	240	140	24	22	116
NHB185H2	185	420	120	125	280	310	370	240	96	16	26	95
NHB185H3	185	422	120	120	280	310	370	240	83	18	22	92
NHB185H4	185	425	240	240	280	310	370	240	192	24	26	190
NHB205	205	430	105	80	300	330	380	260	63	16	22	75
NHB230	230	460	105	80	330	360	410	290	70	16	22	90
NHB230H	230	460	120	110	330	360	410	290	96	16	22	91
NHB235	240	480	120	120	330	360	410	290	83	16	26	109
NHB240	240	497	110	125	360	380	450	310	70	24	22	135
NHB240H	240	497	120	125	360	380	450	310	96	24	22	145
NHB250	250	490	105	80	360	390	440	320	70	16	26	105
NHB280	280	540	125	120	400	430	500	360	100	24	26	170
NHB410	300	630	125	120	460	480	560	410	100	24	26	245

- Note:** (1) * sizes are with Key Way to DIN 6885 - P3.
 (2) Max. Speed of Inner Race is the Overrunning Speed of Hold Back.
 (3) On request, only mounting / fitting dimensions can be made to suit customer's specific requirements.
 (4) Other sizes can be supplied on demand.